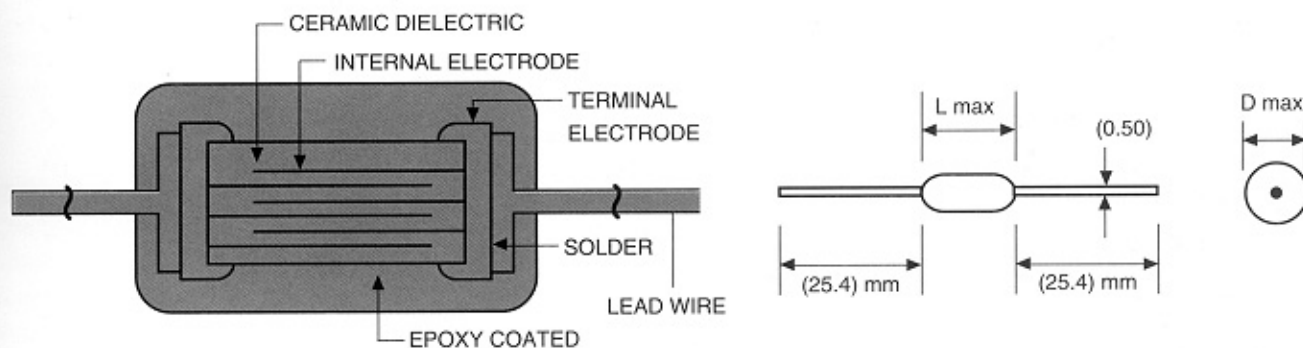


MULTILAYER CERAMIC CAPACITORS EPOXY COATED AXIAL TYPE

LAUBE

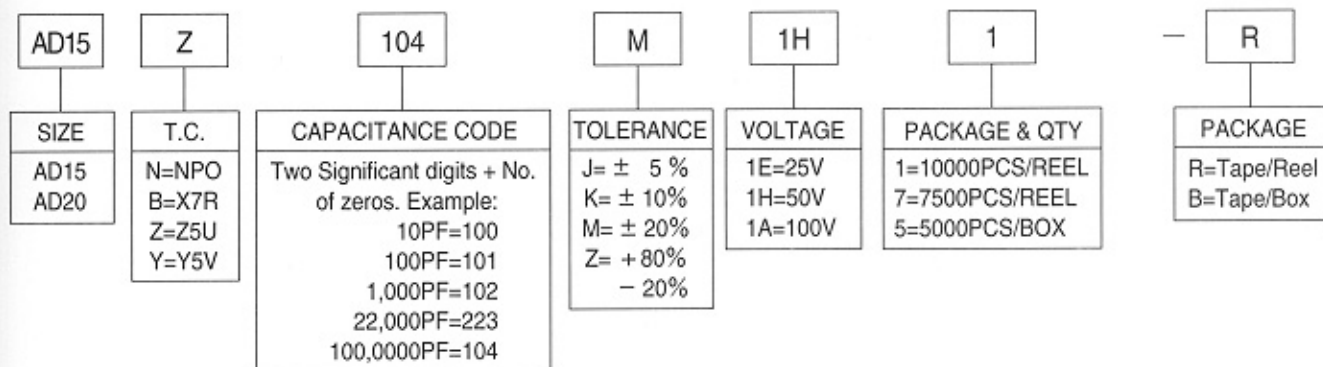
CONSTRUCTION



SIZE CODE and DIMENSIONS:

Case Size	Dimension (mm)		Temp Char	Capacitance		Rated Voltage
	L max	D max		Range (pF)	Tolerance	
AD15	3.81mm max.	2.54mm max.	NPO	100 ~ 1000	J, K	50V
			X7R	330 ~ 220000	K, M	
AD20	5.08mm max.	3.81mm max.	Y5V	10000 ~ 330000	M, Z	

Part Code Designation

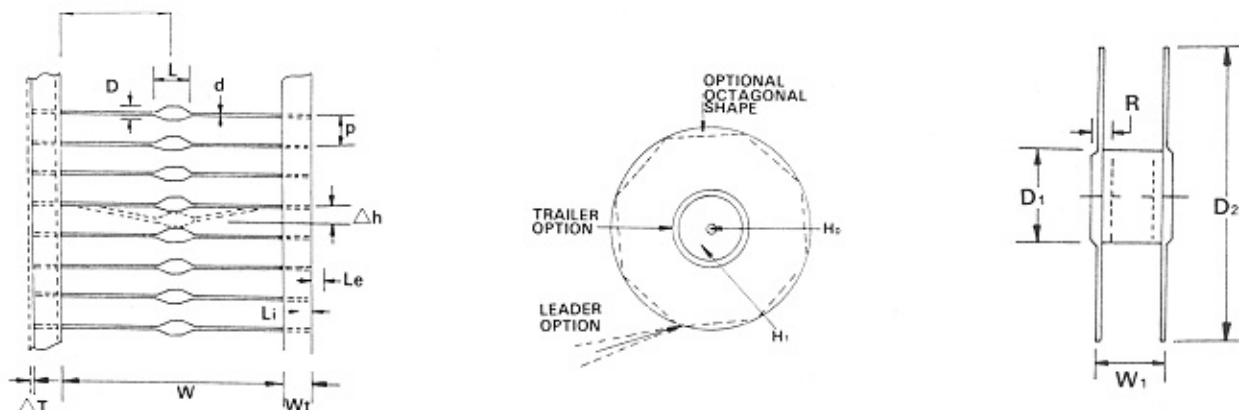


MULTILAYER CERAMIC CAPACITORS EPOXY COATED AXIAL TYPE

LAUBE

PACKING SPECIFICATION:

DIMENSION: Units millimeter



Description	Symbol	Dimensions	Symbol	Symbol	Dimensions
Pitch of Component	P	5.08 ± 0.51	Centered	C	± 0.76
Cumulative Tolerance of P over 6 consecutive units		± 0.15	Core Diameter	D1	34.90 – 92.10
Tape width	Wt	6.0 ± 1.0	Reel Diameter	D2	355.60max
Lead Wire Protrusion	Le	1.75max	Core Width	W1	69.85 ± 1.52
Lead Extension into Tape	Li	3.96min	Recess Depth	R	9.5min
Offset Between Tapes	ΔT	0.8max	Arbor Hole	Ho	15.5 – 18.0
Width Between Tapes	W	52.37 ± 1.75	Deflection from Nomial position	Δh	1.19max
Pilot Hole DIA	H1	8.0	Leader option	L	304.8min

PACKAGING QUANTITY

Size Code	Taping Type	
	Quantity per reel	Quantity per box
AD15	1,000 PCS OR 7,500 PCS	5,000 PCS
AD20	1,000 PCS OR 7,500 PCS	5,000 PCS